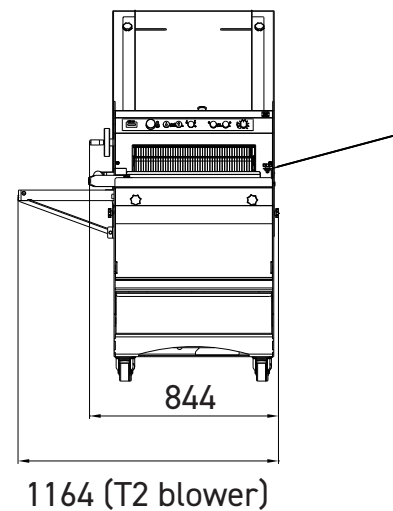
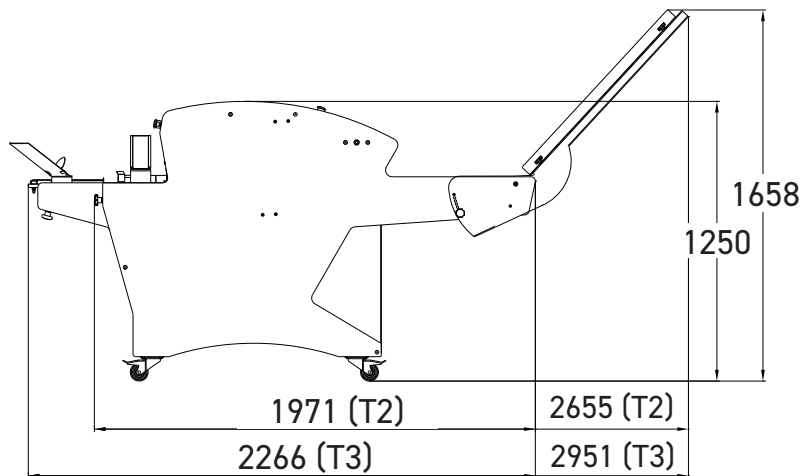


FULL

- ✓ Continuous slicing of all types of bread
- ✓ High speed, thanks to motorised drive belts
- ✓ Uncompromising robustness
- ✓ Adjustable speed



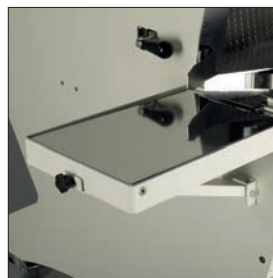
Up to 1000 loaves an hour





Front control panel

Motorised adjustment of the upper belt height (height of loaves). Next to the front panel controls, a timer accurately records your working time.



Full 520 T2

Foldable bag blower
Saves packaging time.



Rear loading belt

Provides uniform continuous cutting, thanks to adjustable side guides.



Full 520 T3

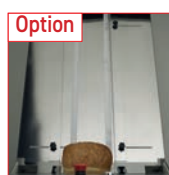
Motorised outfeed belt

Fitted with adjustable guides to ensure that the bread is held together after cutting.



Variable speed drive

Allows the cutting speed to be adjusted to suit the type of bread.



Option

Loading ramp

Fitted with side guides, increases loading capacity.

FEATURES	FULL 520 T2	FULL 520 T3
Max. loaf dimensions in cm (W x H)	52 x 16	52 x 16
Foldable bag blower	•	
Motorised outfeed belt		•
Motor power in kW	1.1	1.1
Net weight (in kg)	365	385
Blade type and dimensions in mm	13 x 0.7 steel	13 x 0.7 steel

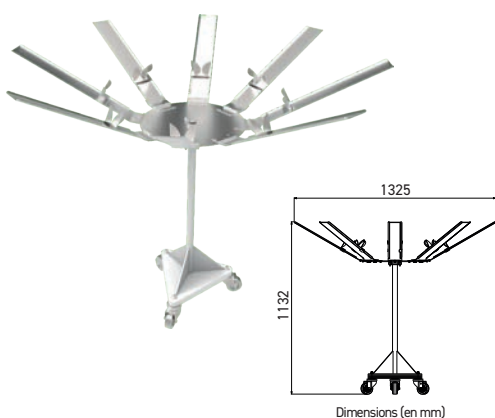
CHOICES	FULL 520 T2	FULL 520 T3
Slice thickness in mm	11 - 18	11 - 18
Power supply	230V three-phase 400V three-phase	230V three-phase 400V three-phase

OPTIONS

Loading ramp	•	•
Special blades	•	•

Bagging turnstile

Allows several loaves to be packaged very quickly one after the other.



Bag blower

Additional mobile blower



FEATURES

Power supply

230V single phase

