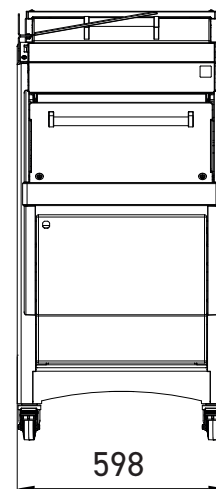
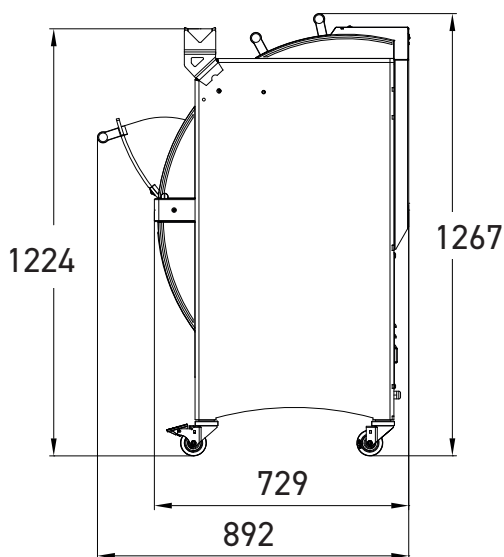


NEW SELF

- ✓ Maximum safety due to the double cover being locked during the cutting cycle
- ✓ Removable, ergonomic crumb collector
- ✓ Automatic cutting cycle for simplicity of use
- ✓ Easy users guide
- ✓ Front bumper to protect the machine

Up to 250 loaves an hour





Intelligent Slicing Concept (JAC patent)

Continuous automatic control system that slices loaves according to their consistency. This allows open textured, crusty and dense breads to be sliced with equal efficiency.



JAC FIX

Holds the loaf together for easier handling at the exit of the slicer.



Front safety cover

Locked during the slicing process for maximum safety.



Removable crumb collector

Completely safe. Accessible by tilting the front door. 25 litre capacity.



Rear safety cover

Closing it initiates the slicing process and it remains mechanically and electrically locked during cutting.




Type available "M" system

Micronised knife lubrication system for cutting bread with a high rye content or sticky crumb. Developed by JAC, it consumes the least possible amount of oil (120 ml per 1000 loaves) and delivers consistent cutting quality.

Option Users explanatory notice



FEATURES

	NEW SELF 450	NEW SELF 450M 
Max. loaf dimensions in cm (L x W x H)	44 x 31 x 16	44 x 30 x 16
Motor power in kW	0.49	1.1
Net weight (in kg)	210	220
Blade type and dimensions in mm	Steel 13 x 0.5	13 x 0.5, Teflon-coated
JAC FIX	•	•

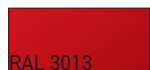
CHOICES

Slice thickness in mm	9 - 18	9 - 12
Loaf pusher height	Extra low (50mm) Low (80mm) High (100mm)	Misch (80mm)
Power supply	230V single phase 230V three-phase 400V three-phase	400V three-phase
Standard colour*	•	•

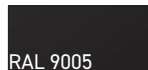
OPTIONS

Heavy duty motor	•	Standard
Extra 4 cm height	•	•
Users explanatory notice	•	•
Daily adding counter	•	Standard
Special colour	•	•
Special blades	•	Standard teflon

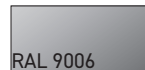
*STANDAARDKLEUREN



RAL 3013



RAL 9005



RAL 9006



RAL 9010